

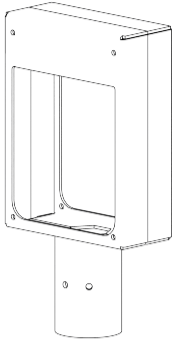
ONEPOLE Tophead - Zaptec Go Single/Twin



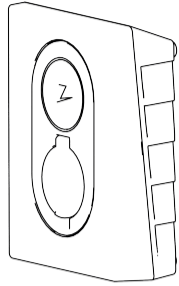
ZM000792 - Pipe Go Single

ZM000793 - Pipe Go Twin

Tophead



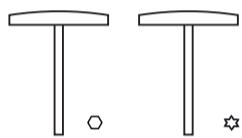
Zaptec Go charger



Blind plate (Premounted)
Single only



Pipe
1340mm



M8x10
Fastener bolts



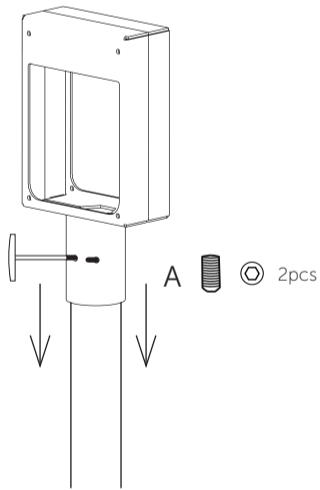
M4x10
Blind plate bolts
Single only



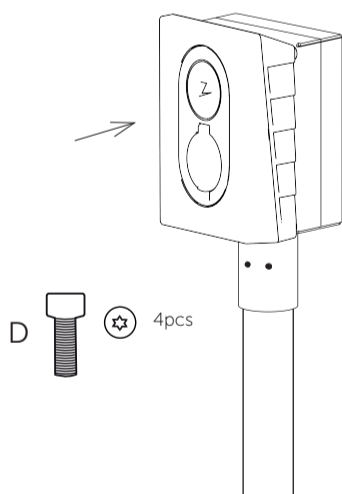
M4x10
mounting bolts
for Zaptec Go



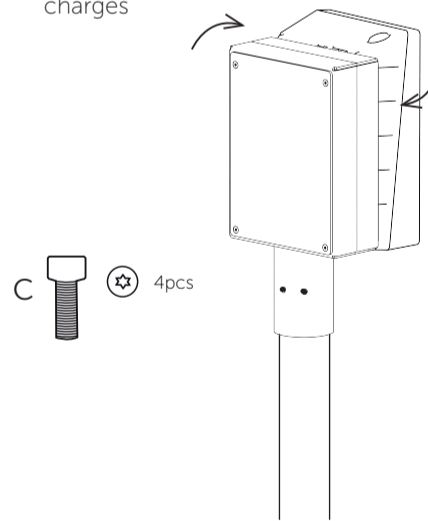
1 - ZM000792 - Pipe Go Single



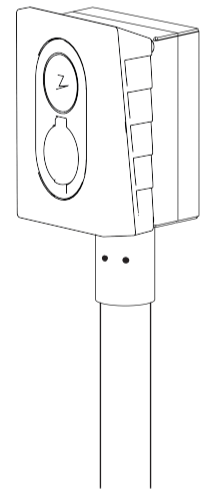
2 - ZM000792 - Pipe Go Single
Check Zaptec Go manual
for mounting guide



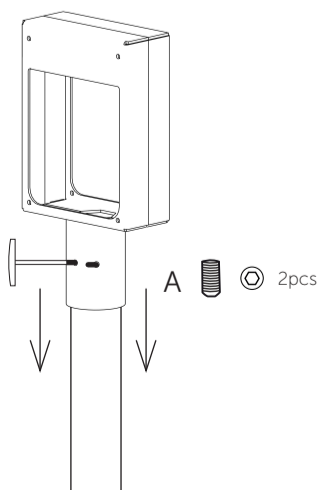
3 - ZM000792 - Pipe Go Single
Blind plate is premounted.
Optional: Remove the blind
plate to add additional
charges



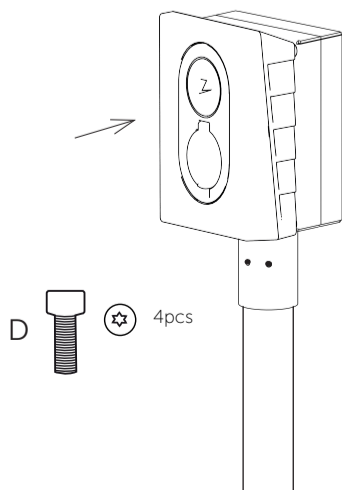
ZM000792 - Pipe Go Single



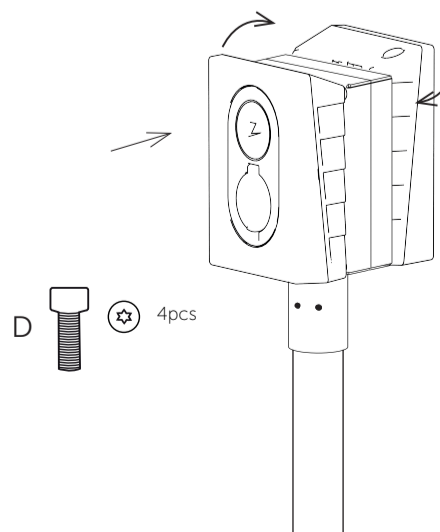
1 - ZM000793 - Pipe Go Twin



2 - ZM000793 - Pipe Go Twin
Check Zaptec Go manual
for mounting guide



3 - ZM000793 - Pipe Go Twin
Check Zaptec Go manual
for mounting guide



ZM000793 - Pipe Go Twin

